

## **ZEISS CARFIT Vacuum Clamp System**

### Specifications

Version: July 2019



## ZEISS CARFIT Vacuum Clamp System

The system is designed to grasp and clamp hole pattern plates with test objects. The system is operated via the switches attached to the control box.

### System components

a	Vacuum column
b	Vacuum cup
c	Foot plate
d	Control box
e	Castor
f	Supporting foot
g	IEC connector, C14
h	Pneumatic connection
i	Compressed air connections for vacuum columns
j	Hand grip
k	Workpiece pins

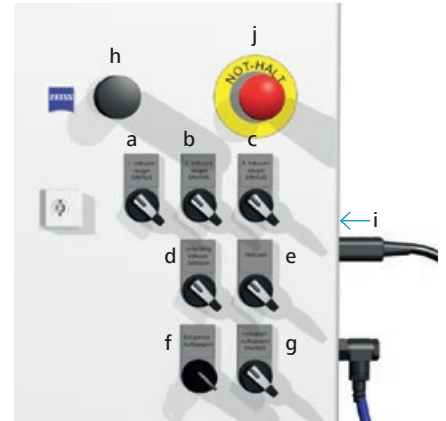


### ZEISS CARFIT Vacuum Clamp System, System Description

<b>Device name</b>	ZEISS CARFIT Vacuum Clamp System
<b>Year of manufacture</b>	2019
<b>Weight</b>	43 kg (25 kg control box, 6 kg per column)
<b>Sound pressure level (LPA)</b>	< 70 dB (A)
<b>Total dimensions (WxDxH)</b>	Control box: 300 mm x 310 mm x 640 mm Column: 250 mm x 250 mm x 280 mm
<b>Rated load capacity / max test object weight</b>	50 kg per vacuum cup
<b>Section power, vacuum cup</b>	61 N
<b>Pull-off strength, vacuum cup</b>	100 N
<b>Electrical equipment</b>	
<b>Operating voltage</b>	230 V AC
<b>Frequency</b>	50 Hz
<b>Control voltage</b>	24 V DC
<b>Pneumatic equipment</b>	
<b>Operating pressure</b>	6 bar
<b>Air pressure quality</b>	Dry, unoiled and purified

## Operating/Control elements, control box

a	Vacuum cup 1 on/off
b	Vacuum cup 2 on/off
c	Vacuum cup 3 on/off
d	Switch to blow-off mode
e	Blow off suctioned parts
f	Unlock workpiece pins
g	Compressed air supply for workpiece pins on/off
h	Regulate pneumatic pressure for workpiece pins
i	Device on/off
j	Emergency off



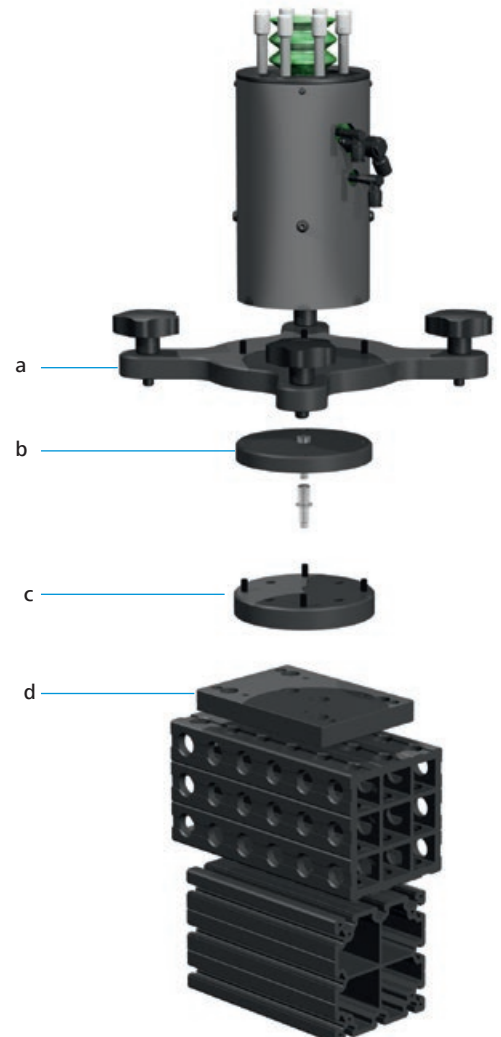
## Connector panel

Pos.	Description	Function
a	Unlock workpiece pin connection	Releases the workpiece pin lock
b	Workpiece pin spring force connection	Supplies the workpiece pins with compressed air
c	Vacuum connection for cups	Supplies the cups with negative pressure



## Optional accessories

a	Foot plate, star-shaped (standard pattern, 200 x 200)
b	Adapter plate, small, with thread
c	Magnetic base
d	Adapter plate, classic (for 2 CARFIT profiles: hole pattern profile and continuous casting profile)



## Advantages at a Glance:

### The ZEISS CARFIT Vacuum Clamp System

- Makes setup and measuring easier so that you can collect quality data faster
- Supports the overall optimization of production through improved measuring efficiency
- Improves the utilization rate of measuring devices
- Can be used universally for a wide range of components and hence provides a high level of investment security
- Replaces individual measurement fixtures and allows for measurements without interfering contours
- Low-noise operation thanks to Venturi nozzles; vacuum is reliably maintained over long periods of time

## Carl Zeiss

Fixture Systems GmbH  
Auf Rodert 6  
66636 Tholey  
Germany

Phone: +49 (0) 6853/ 5012-0  
Fax: +49 (0) 6853/ 5012-31  
Email: [carfit.metrology.de@zeiss.com](mailto:carfit.metrology.de@zeiss.com)  
[www.zeiss.de/carfit](http://www.zeiss.de/carfit)